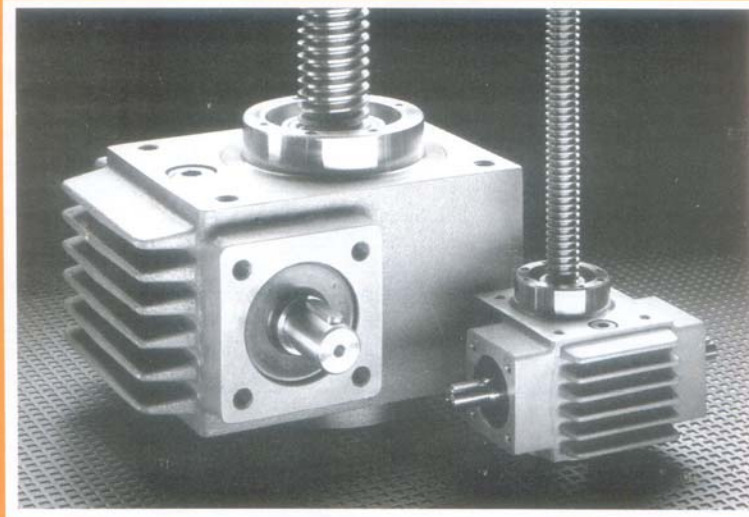


## *Elevating Drives*



**Electropower**  
GROUP

**ELECTROPOWER** Group offers ELEVATING DRIVES (WORM SCREW JACKS) extensively being used in number of Industries for Load PUSH and PULL applications.

Modularly designed for UPRIGHT (Screw moving upward) and INVERTED (Screw moving downward) Mounting, they are available having linear travel of Stationery screw and Rotating Screw, having Flange Nut mounted on the Screw, offering Linear travel. Besides Std. Thread at Screw End, Optional Accessories such as Mounting Flange/Clevis/Hand Wheel can also be supplied. Motorised units are also offered.

Though currently being offered having Lifting Force 10kN (1 M Ton) to 100kN (10M Tons), units out of this range can also be offered.

### TECHNICAL SPECIFICATIONS

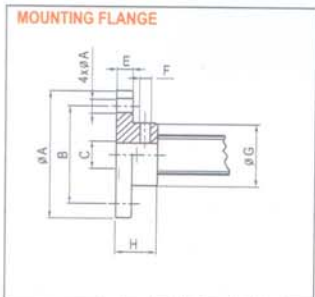
MODEL No.	1T-A	1T-B	2.5T-A	2.5T-B	5T-A	5T-B	10T-A	10T-B
Max. Lifting Force M/T	1	1	2.5	2.5	5	5	10	10
Screw Thread/Pitch Trapezoidal	20/4	20/4	30/6	30/6	40/7	40/7	60/9	60/9
Worm Gear Ratio	4.5:1	15:1	7:1	23:1	5.5:1	25:1	7.5:1	33:1
Travel per Turn of Worm - mm	0.88	0.26	0.86	0.26	1.27	0.28	1.20	0.27
Input Drive Torque Nm - Max	4.7	1.8	7.7	2.8	21.8	6.4	33.5	8.8
Input HP - Max @ 1400 RPM	1	0.4	1.5	0.6	4	1.25	6.7	1.8

### SCREW TRAVEL - MAX

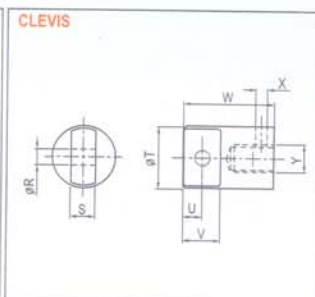


MODEL	ONE END FIXED ONE END GUIDED	ONE END FIXED ONE END FREE
1T-A/1T-B	640	320
2.5T-A/2.5T-B	930	465
5T-A/5T-B	1250	625
10T-A/10T-B	2150	1075

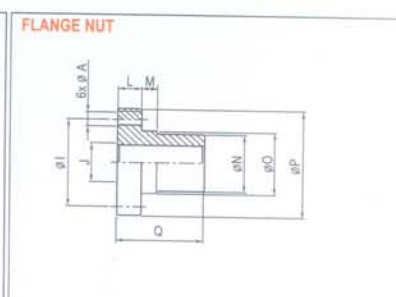
### ACCESSORIES



MODEL	$\phi A$	B	C	$\phi D$	E	F	$\phi G$	H
1T-A/1T-B	80	60	M14	11	8	M6	32	21
2.5T-A/2.5T-B	90	67	M20	11	10	M8	40	23
5T-A/5T-B	110	85	M30	13	15	M8	60	30
10T-A/10T-B	170	130	M48	21	25	M10	90	50



MODEL	$\phi R$	S	$\phi T$	U	V	W	X	Y
1T-A/1T-B	14	14	30	17	34	65	M6	M14
2.5T-A/2.5T-B	20	20	40	25	50	80	M8	M20
5T-A/5T-B	30	30	50	32	64	110	M8	M30
10T-A/10T-B	45	45	72	42	85	145	M10	M48



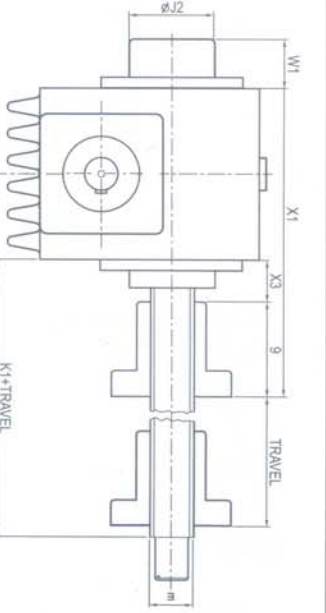
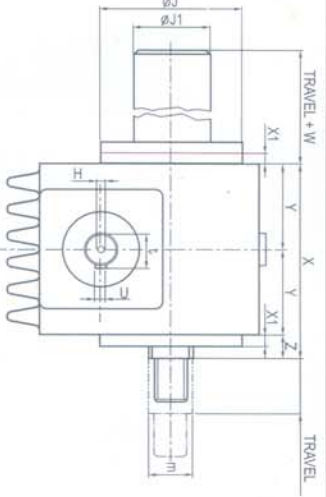
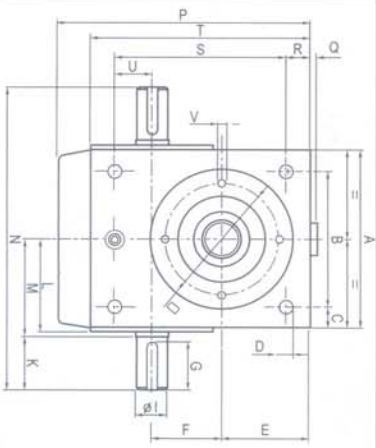
MODEL	I	J	$\phi A$	$\phi K$	L	M	$\phi N$	$\phi O$	$\phi P$	Q
1T-A/1T-B	45	TR20X4P	7	7	12	8	31.7	32	55	44
2.5T-A/2.5T-B	50	TR30X6P	7	7	14	8	37.7	38	62	46
5T-A/5T-B	78	TR40X7P	9	9	16	12	62.7	63	95	66
10T-A/10T-B	110	TR60X9P	13	13	20	16	67.7	68	130	90

### OTHER PRODUCTS

- HELICAL GEAR BOXES FOR EXTRUDERS
- GEARED MOTORS
- HELI - WORM GEARED MOTORS
- GEAR BOXES
- HELICAL / WORM GEARED MOTORS / GEAR BOXES

*Narhari Engineering Works Pvt. Ltd.*

PLOT - 1, SHAH INDUSTRIAL AREA OFF VEERA DESAI ROAD, ANDHERI - (W), MUMBAI - 400053  
 TEL.: 022 26731825 / 26731893 FAX: 022 26732107 Email: gearedmotor@vsnl.com  
 WEBSITE : WWW. GEARED-MOTOR.COM



SCREW WITHOUT ROTATION MOVES AXIALLY

SCREW ROTATING, NUT MOVES AXIALLY

MODEL	A	B	C	D	E	F	G	H	øI	øJ	K	L	M	N	O	P	Q	R	S	T	U	V	W	X	Y	Z	g	m	t	U	øJ1	øJ2	K1	W1	X1	X2	X3
<b>1T-A/1T-B</b>	83	63	10	M8X 150	40	32	20	M5X 150	14	65	25	43.5	45.5	141	52	115	9	11	78	100	17	MAX 80	15	85	40	5	44	T120 4P	16	5	40	40	63	20	0	139	15
<b>2.5T-A/2.5T-B</b>	114	102	12	M10X 150	58	45	35	M8X 150	19	83	40	64	66.5	213	69	164	9	12	115	139	24	100	28	109	45.5	18	46	T130 6P	21.5	6	50	55	81	34	12.5	166	29
<b>5T-A/5T-B</b>	156	115	20.5	M12X 180	78	63	45	M8X 150	24	110	50	90.5	92.5	285	92	215	12	15	155	185	29	120	26	135	60	15	66	T140 7P	27	8	60	70	84	34	10	187	30
<b>10T-A/10T-B</b>	184	144	20	M16X 220	100	80	55	M8X 200	28	145	60	100	102.5	325	120	270	15	20	195	235	35	150	50	165	65	35	90	T160 9P	31	8	85	90	128	53	20	270	50

