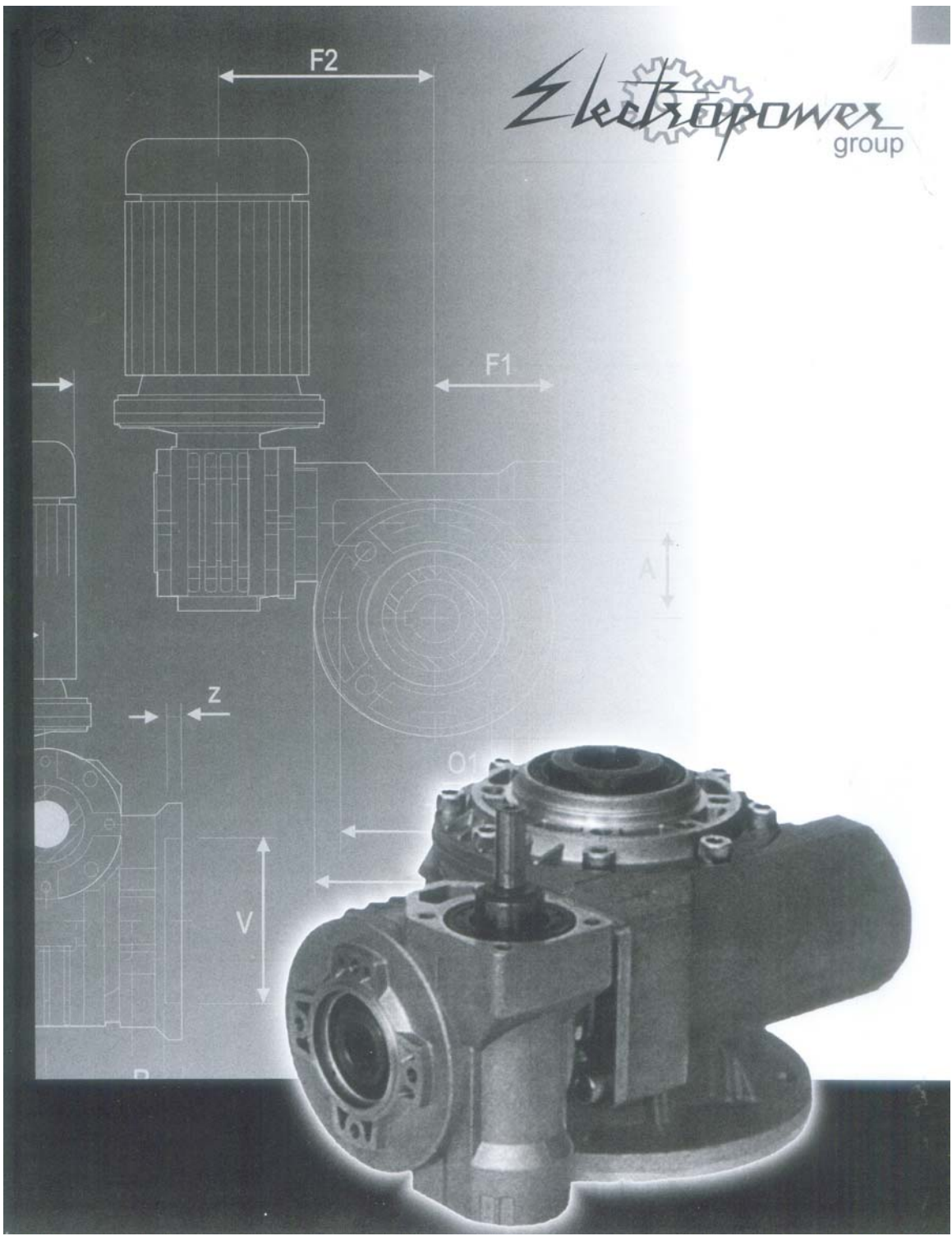


Electropower
group



INPUT SPEED - 1400

TYPE	n_1 min ⁻¹	i Ratio	KW	HP	M_2 da Nm
453 (045+030)	10.5	133	0.12	0.16	6
	7.3	190	0.12*	0.16*	6
	5.2	266	0.12*	0.16*	6
	3.5	399	0.12*	0.16*	6
	2.6	532	0.12*	0.16*	6
	2	703	0.12*	0.16*	6
	1.6	874	0.12*	0.16*	6
	1.2	1092	0.12*	0.16*	6
	1	1443	0.12*	0.16*	6
0.8	1794	0.12*	0.16*	6	
0.6	2340	0.12*	0.16*	6	

503(050+030)	5.5	252	0.12	0.16	9.5
	3.6	382	0.12*	0.16*	9.5
	2.6	540	0.12*	0.16*	9.5
	2	684	0.12*	0.16*	9.5
	1.7	817	0.12*	0.16*	9.5
	1.2	1140	0.12*	0.16*	9.5
	1	1404	0.12*	0.16*	9.5
	0.8	1677	0.12*	0.16*	9.5
	0.6	2340	0.12*	0.16*	9

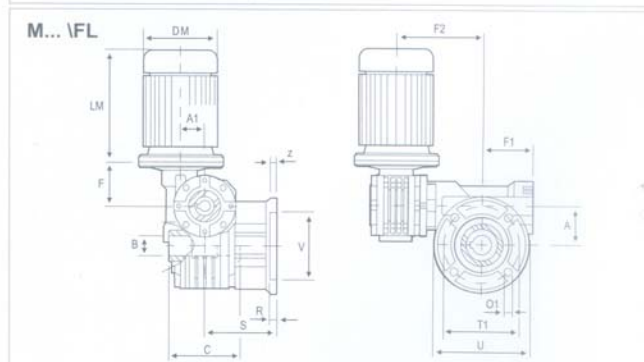
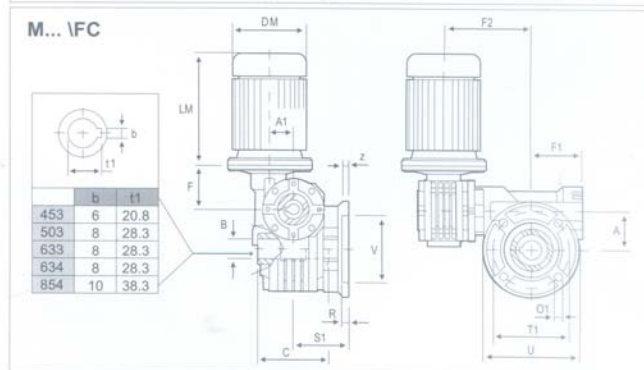
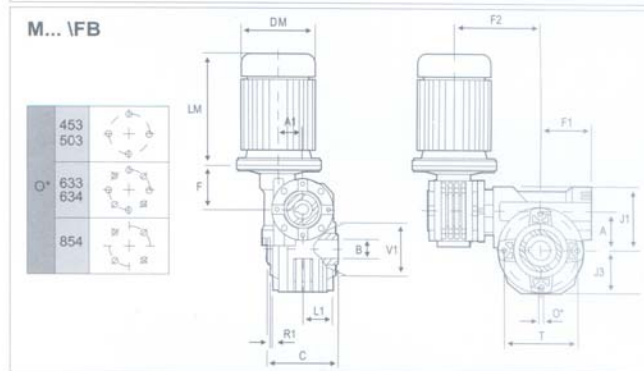
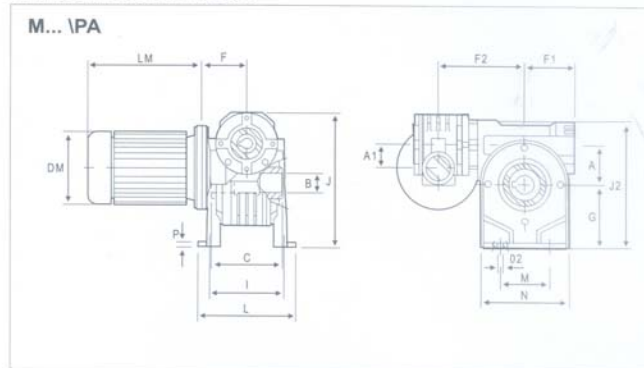
633(063+030)	5.5	252	0.18	0.25	19.2
	3.6	382	0.18*	0.25*	20
	2.6	540	0.12*	0.16*	20
	2	684	0.12*	0.16*	20
	1.29	1080	0.12*	0.16*	20
	1	1404	0.12*	0.16*	20
	0.51	2745	0.12*	0.16*	20

634(063+045)	5.5	252	0.18	0.25	19.2
	3.9	360	0.18*	0.25*	20
	2.7	504	0.12*	0.16*	23
	1.85	756	0.12*	0.16*	23
	1.38	1008	0.12*	0.16*	23
	1	1332	0.12*	0.16*	23
	0.84	1656	0.12*	0.16*	23
	0.64	2160	0.12*	0.16*	23
	0.55	2520	0.12*	0.16*	23

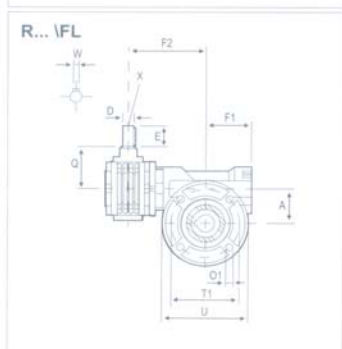
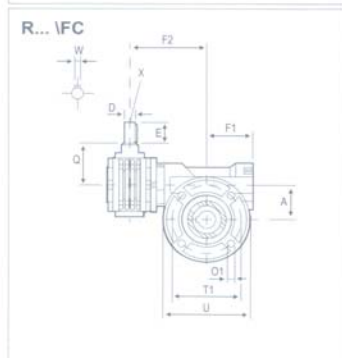
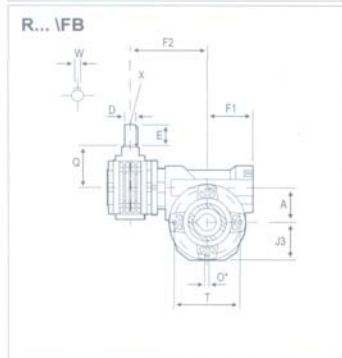
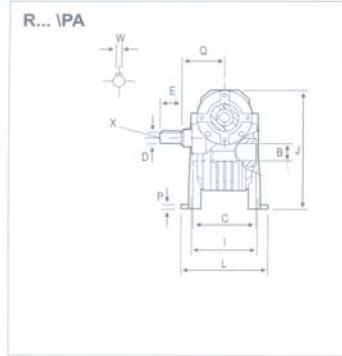
854(085+045)	10	140	0.37	0.50	19
	7	196	0.37	0.50	27
	5	280	0.37	0.50	31
	3.5	392	0.37	0.50	40
	2.3	588	0.25	0.33	39
	1.7	784	0.25*	0.33*	42
	1.3	1036	0.18*	0.25*	42
	1	1288	0.18*	0.25*	45
	0.7	1960	0.12*	0.16*	45
	0.5	2856	0.12*	0.16*	48

* Power higher than max transmissible by the gearbox; select the unit according to the max. torque specified in the M_2 column

GEARED MOTOR DIMENSIONS

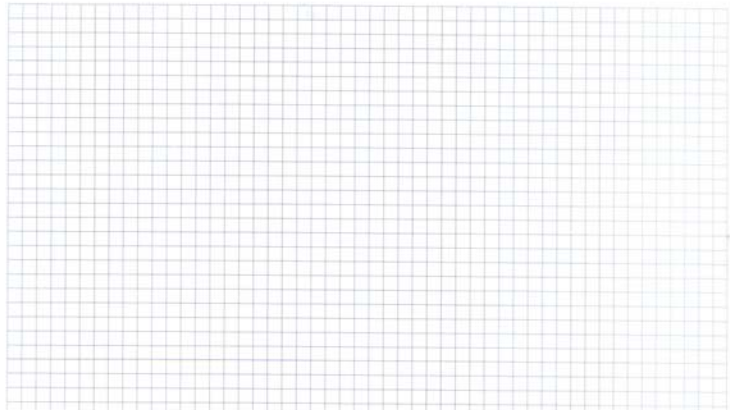


GEAR BOXES DIMENSION



DIMENSIONS

	453 045+030	503 050+030	633 063+030	634 063+045	854 085+045
A	45	50	63	63	85
A1	30	30	30	45	45
B _{H7}	18	25	25	25	35
C	65	81	120	120	135
D _{H7}	9	9	9	11	11
E	20	20	20	30	30
F Max	63	63	63	74	74
F1	55	65	79	79	98
F2	105.5	110	141	146	171.7
G	72 ± 0.2	82 ± 0.2	100 ± 0.2	100 ± 0.2	142 ± 0.2
I	80+81	98-100	110-111	100-111	145
J	141	171	202	212	276
J1	72	81	100	100	138
J2	144	163	200	200	280
J3	49	54.5	70	70	94.5
L	100	123	144	144	182
L1	35	38	45	45	64
M	50-52	63-65	95	95	140
N	98	113	133	133	180
O	4 - M6x14	4-M6x9	8-M8x17	8-M8x17	4-M10x18
O1	8.5	10.5	10.5	11.5	13
O2	10.5	10.5	10.5	10.5	10.5
P	3	3.5	4	4	5
Q	58	58	58	68	68
R	9	9	7	7	10
R1	2	3	5	5	3.5
S (FL)	90.5	85	116	116	148.5
S1 (FC)	60.5	-	86	86	108
T	65	94	90	90	130
T1	87	90	150	150	176
U	110	123	175	175	205
V	60+0.05+0.20	70+0.05+0.20	115+0.05+0.20	115+0.05+0.20	152+0.06
V1 h8	50	68	75	75	110
W	3	3	3	4	4
Z	9	12	13	13	16
Kg (FB)	3.6	4.2	7.5	8.9	19.5



Service factor

Types of load and starts per hour		s.f	Operating hours per day		
			<2h	2+8h	8+16h
Continuous or intermittent appl. with Start/hour	≤10	Uniform	0.9	1	1.25
		Moderate	1	1.25	1.5
		Heavy	1.25	1.5	1.75
Continuous or intermittent appl. with Start/hour	>10	Uniform	1.25	1.5	1.75
		Moderate	1.5	1.75	2
		Heavy	1.75	2	2.25

Radial and Axial Load

N ₂ /1'	453 (030+045)		503 (030+050+)		633 (030+063)		634 (045+063)		854 (045+085)	
	A	R	A	R	A	R	A	R	A	R
25	30	180	48	250	70	380	70	380	100	500
15	40	200	56	280	80	400	80	400	116	580

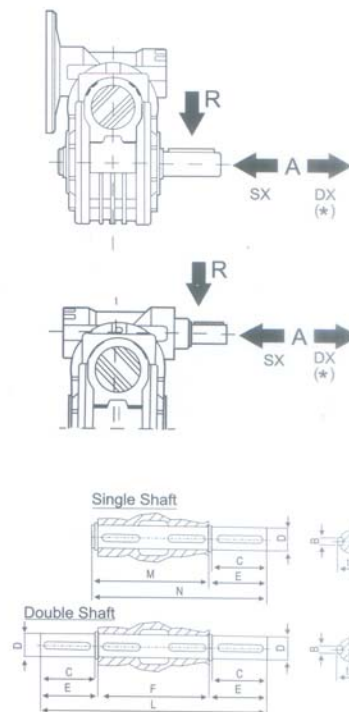
* Strong Axial Loads in the DX direction are not allowed

N ₁ /1'	453		503		633		634		854	
	A	R	A	R	A	R	A	R	A	R
1400	2	10	2	10	2	10	3	15	3	15

* Strong Axial Loads in the DX direction are not allowed

Solid Output Shafts

	B	C	D _{hg}	E	M	N	F	L	t ₂
453	6	32	18	43	70	113	65	151	20.8
503	8	52	25	60	88	146	81	200	28.3
633/634	8	60	25	63	127	190	120	246.4	28.3
854	10	60	35	73.5	140	214	135	282	38.3



Also Helical Gear Boxes / Geared Motors

Narhari Engineering Works Pvt. Ltd.

1, Shah Industrial Estate, Off. Veera Desai Road, Andheri (West), Mumbai - 400 053.

Tel.: 2 673 18 25, 2673 18 93, Fax No. 2673 2107.

Email : gearedmotor@vsnl.com • Web Site : www.geared-motor.com